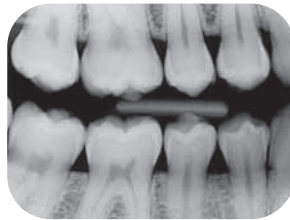
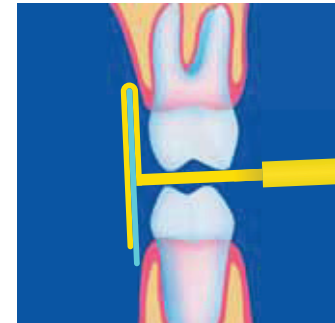


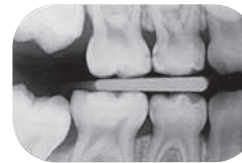
Kwik-Bite®



Size 2



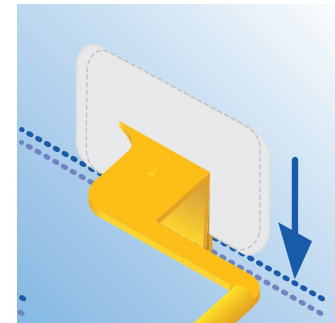
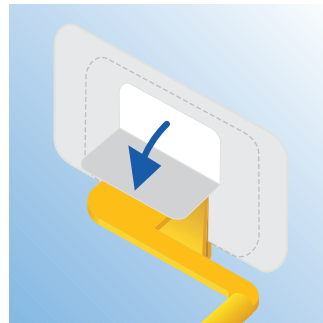
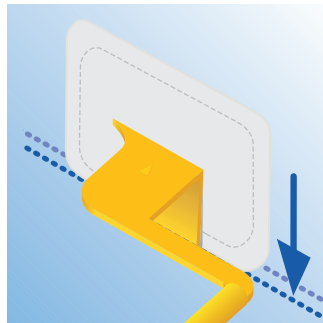
Size 3



Size 0



Size 1



504895-11-09

Manufactured by KerrHawe SA
Via Strece 4, 6934 Bioggio
Switzerland
www.KerrHawe.com
00800 41 05 05 05



Kerr U.S.A.
1717 West Collins Avenue
Orange, CA 92867
(800) KERR-123
KerrDental.com

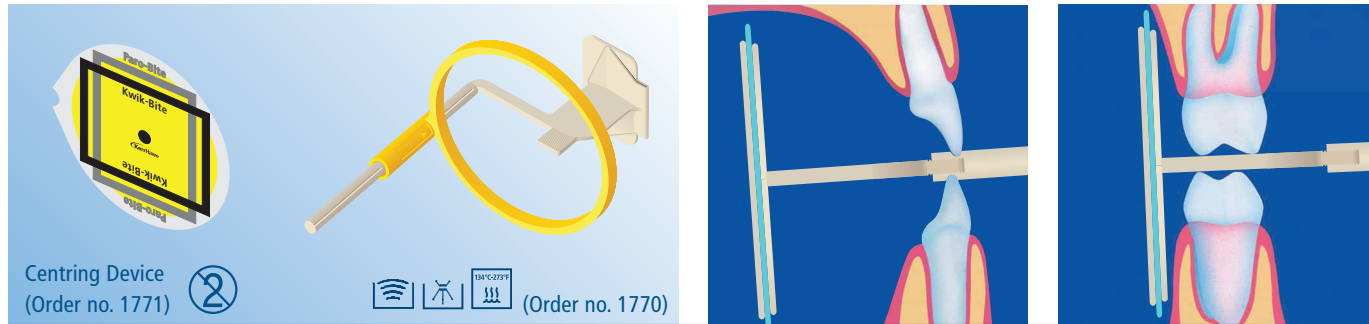
Kerr Australia Pty. Ltd.
Unit 11
112-118 Talavera Road
North Ryde 2113
New South Wales, Australia
61-29-870-7500

Sybron Dental Specialities Japan, Inc.
29-24 Honkomagone 2-chome
Bunkyo-ku, Tokyo
113-0021 Japan
0120-18-3126

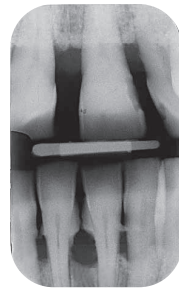
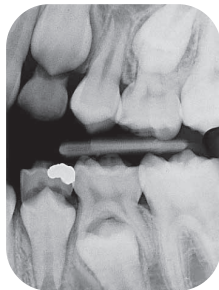
Metrex® Research
28210 Wick Road
Romulus, MI 48174 USA
Phone: 001 714 516 7400
Fax: 001 714 516 7581
www.kerrtotalcare.com



Paro-Bite®



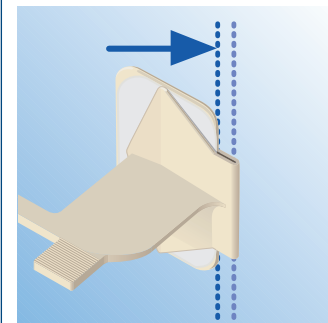
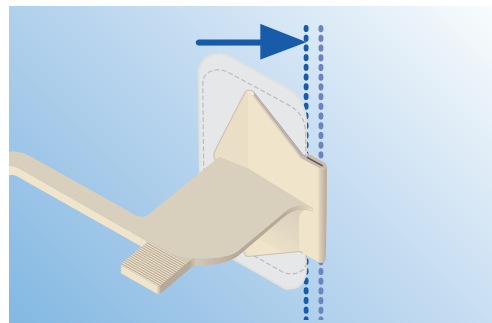
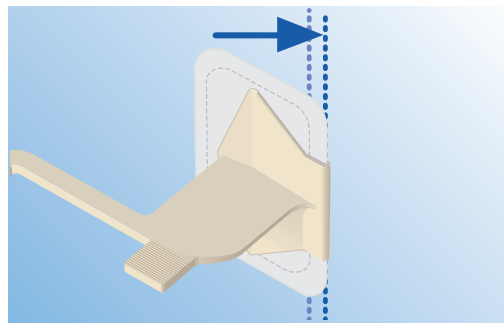
Size 2



Size 1



Size 0



Manufactured by KerrHawe SA
Via Strece 4, 6934 Bioggio
Switzerland
www.KerrHawe.com
00800 41 05 05 05



Kerr U.S.A.
1717 West Collins Avenue
Orange, CA 92867
(800) KERR-123
KerrDental.com

Kerr Australia Pty. Ltd.
Unit 11
112-118 Talavera Road
North Ryde 2113
New South Wales, Australia
61-29-870-7500

Sybron Dental Specialities Japan, Inc.
29-24 Honkomagone 2-chome
Bunkyo-ku, Tokyo
113-0021 Japan
0120-18-3126

Metrex® Research
28210 Wick Road
Romulus, MI 48174 USA
Phone: 001 714 516 7400
Fax: 001 714 516 7581
www.kerrtotalcare.com

